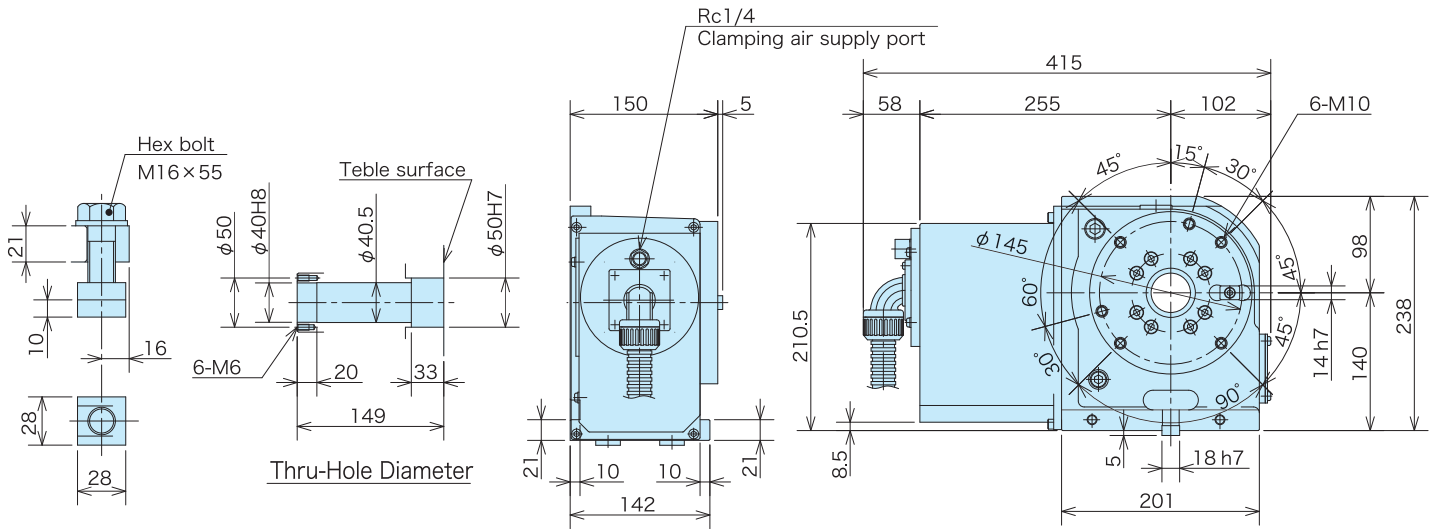
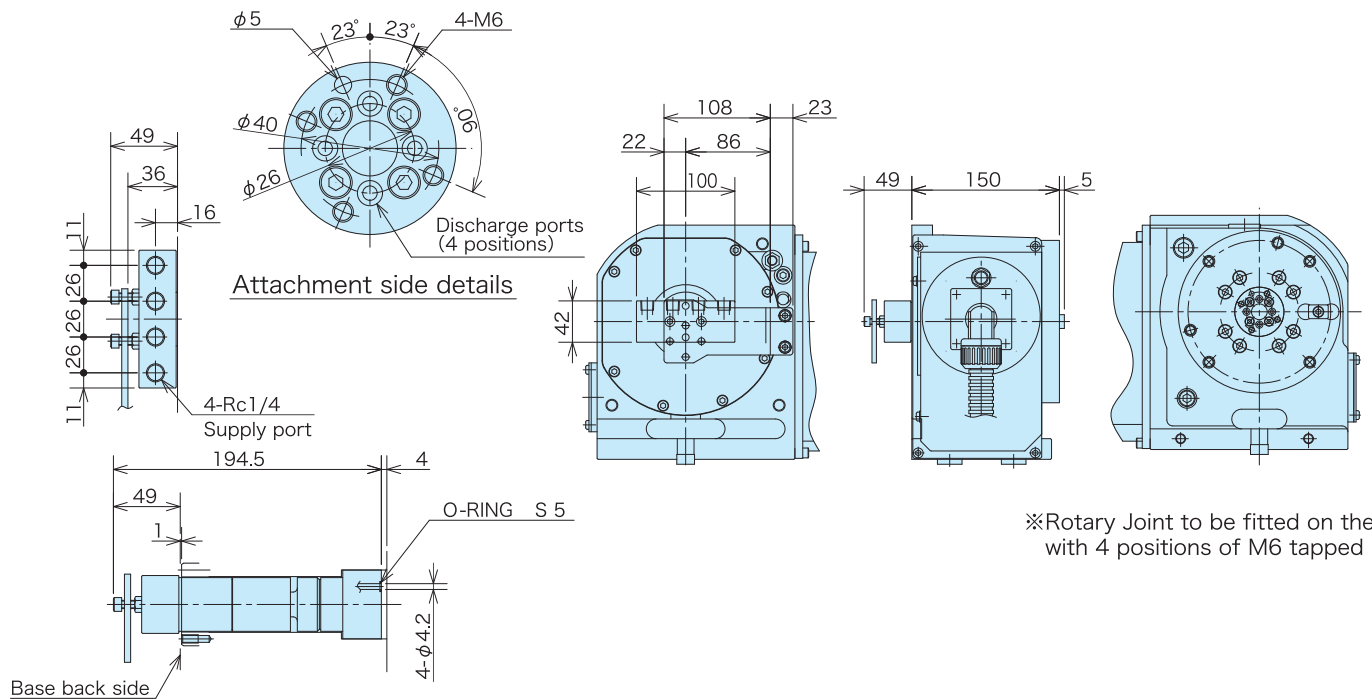


MXM160 (KITAGAWA own controller)



Standard Rotary Joint (Option)



※Rotary Joint to be fitted on the fixture with 4 positions of M6 tapped hole.