



VISE

**KITAGAWA**  
Machine Tool Accessories

Super Long Stroke Low Profile Steel Vise

# VE125LWN



**Jaw Stroke: 405mm**

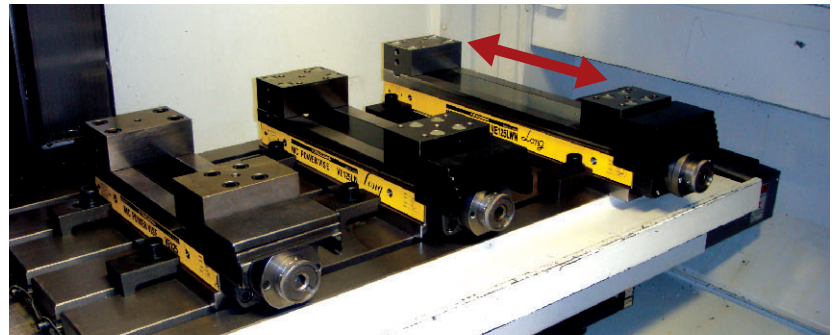


### Features

- Compact Design & Large Clamping Range
- Jaw Stroke: 405mm
- Adjustable Clamping Force: 0-3 levels
- Parallel specification as standard

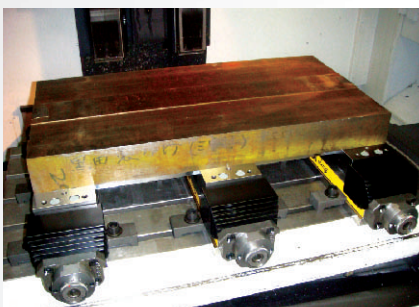
### Size comparison

Left to Right → VE125N • VE125LN • VE125LWN



### Case example

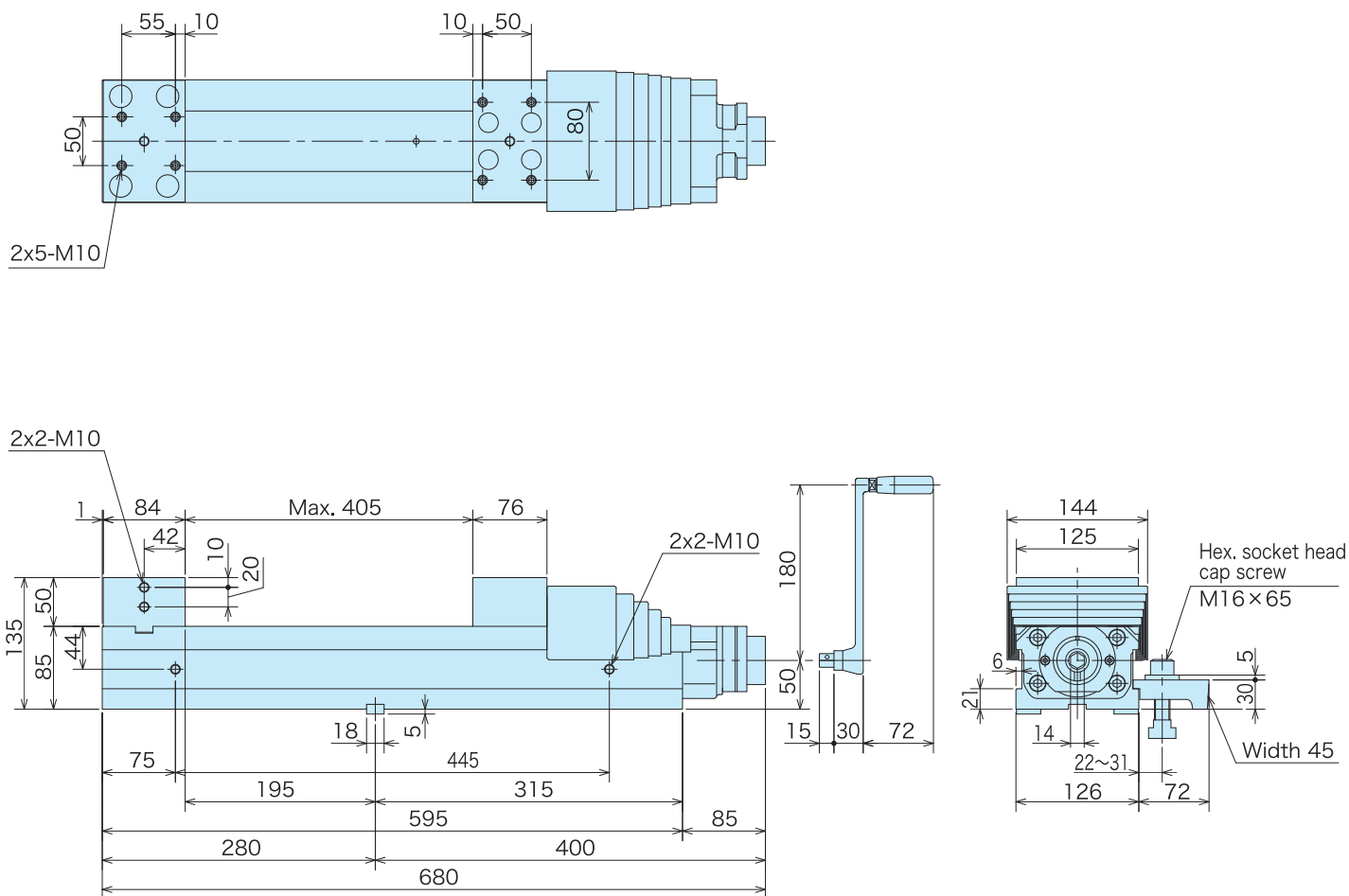
Mold base (Material: S55C)





Super Long Stroke Low Profile Steel Vise

# VE125LWN



## Specifications

Model	Jaw width mm	Jaw height mm	Jaw stroke mm	Total height mm	Work mounting face height mm	Full width mm	Full length mm	Max. clamping force kN	Mass kg
VE125LWN	125	50	405	135	85	144	680	30	48

**KITAGAWA**

Machine Tool Accessories <http://www.mta.kiw.co.jp/>

**KITAGAWA IRON WORKS CO., LTD.**

77-1 Motomachi, Fuchu-shi, Hiroshima-pref. 726-8610, Japan

TEL +81 847-40-0526 FAX +81 847-45-8911

- Specifications and outside appearance are subject to change without notice due to ongoing research and development.
- The color of the actual product may be different from the catalogue's due to printing matters.
- Catalogue contents as of 2009.9
- The products herein are controlled under Japanese Foreign Exchange and Foreign Trade Control Act. In the event of importing and/or exporting the products, you are obliged to consult KITAGAWA as well as your government for the related regulation prior to any transaction.